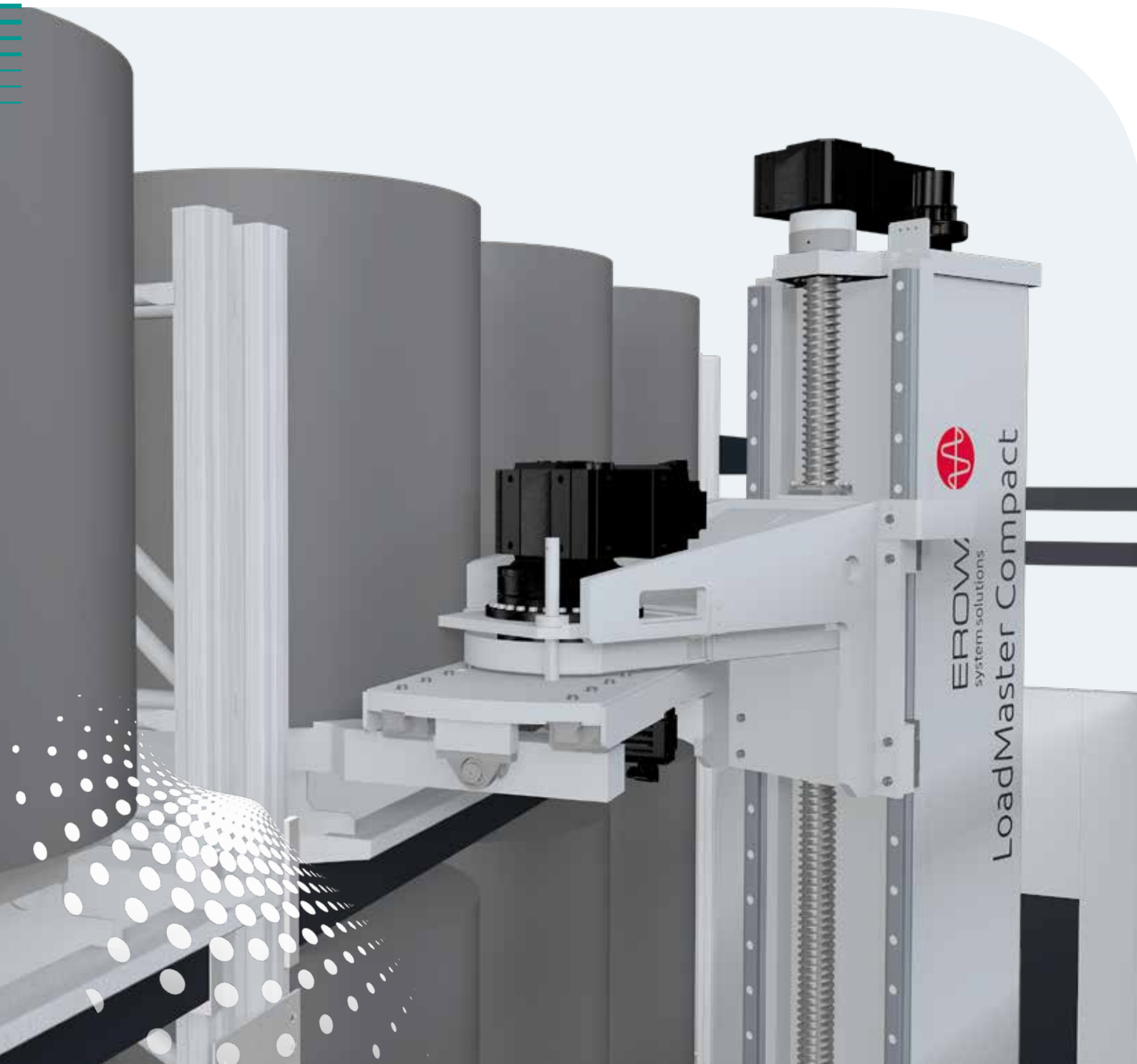


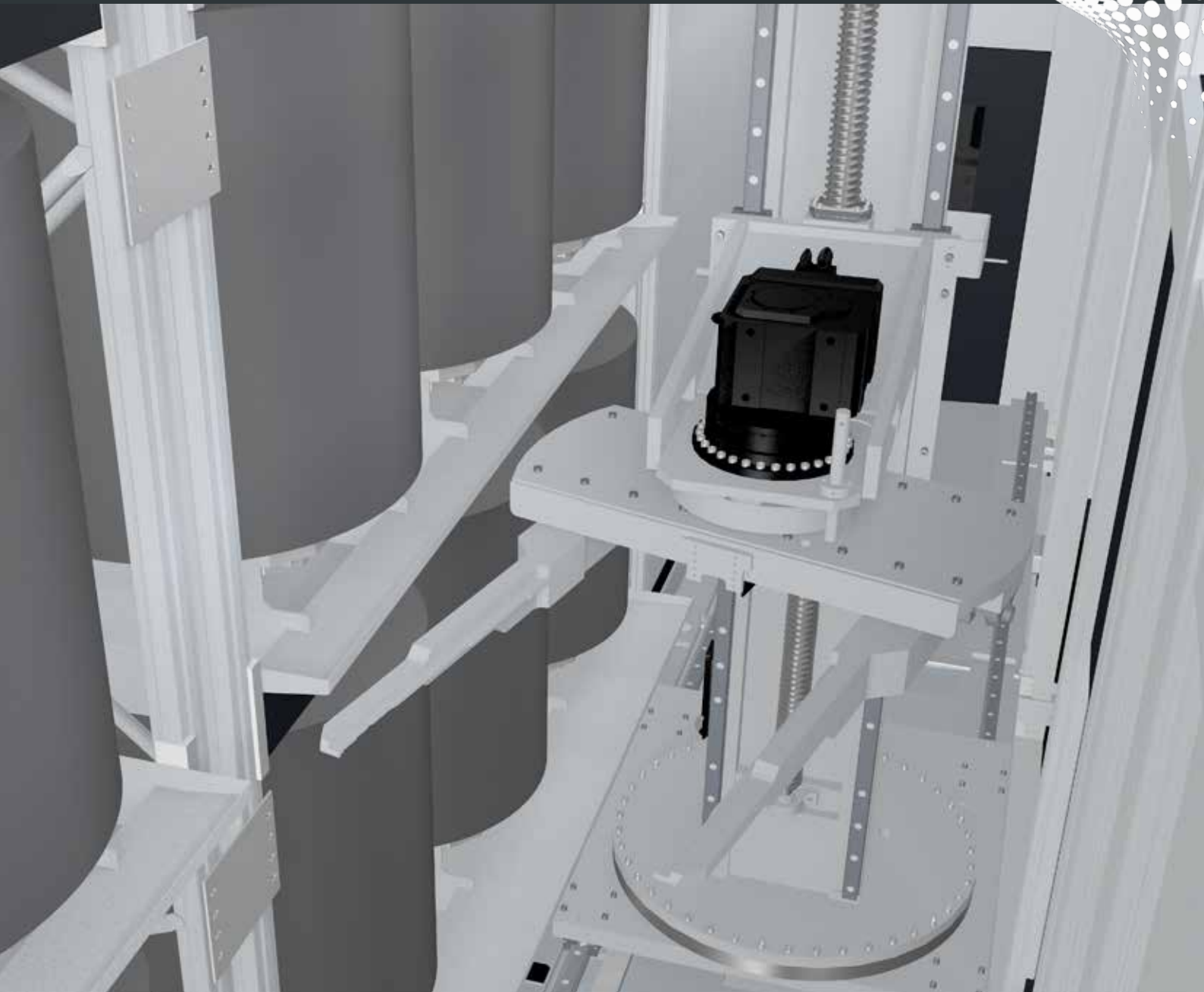
# LoadMaster Compact

Automatic Loading of Workpieces



# Skilful Loading

The highest standard of mechanical engineering quality, over 30 years of experience in factory automation, global presence. It is fair to say, that the handling facilities of the LoadMaster series manage their loading tasks perfectly. And this in addition to remarkable investment and ROI factors.



Up to 4'000 kg transfer weight. Thanks to the ingenious kinetic system with very limited space requirement. With the 360° swivel function, any position in the magazine and on the machine tables can be reliably reached.

The magazines are of vertical design; the storage positions are arranged over two, three or four levels, saving on space and cost. Each level is optimally configured for typical workpiece sizes.

Walk-in or accessible via sliding doors. The setup stations are integral components of the LoadMaster production lines. Versions are available with lifting unit, with rotating and tilting table, or with indexing table. The setup positions are accessible via overhead crane.



The process control system assists the operator in the daily production flow, with clear displays of system status.

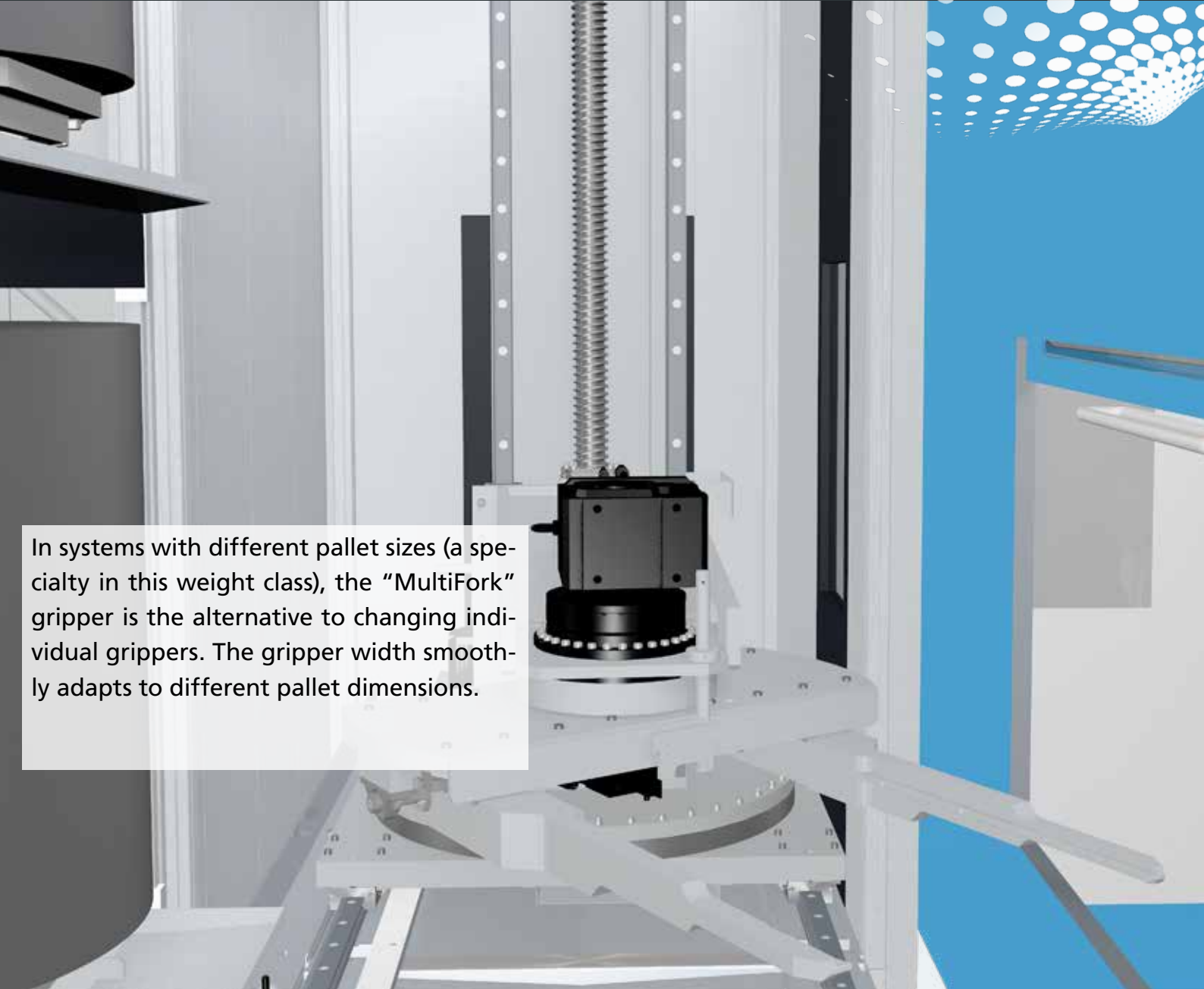


#### FACTS

- From 500 to 4'000 kg transfer weight
- Up to 4 levels in the magazines
- Ergonomic setup stations
- User-friendly process control system

# Skilful Transport

The transfer unit moves between the magazines and machines on solid rails. The grippers optimally support the various application scenarios. Double grippers for fast chip-to-chip times or MultiFork for automatic loading of different pallet sizes.

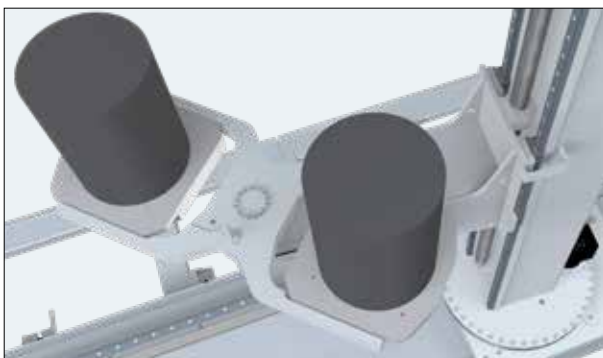
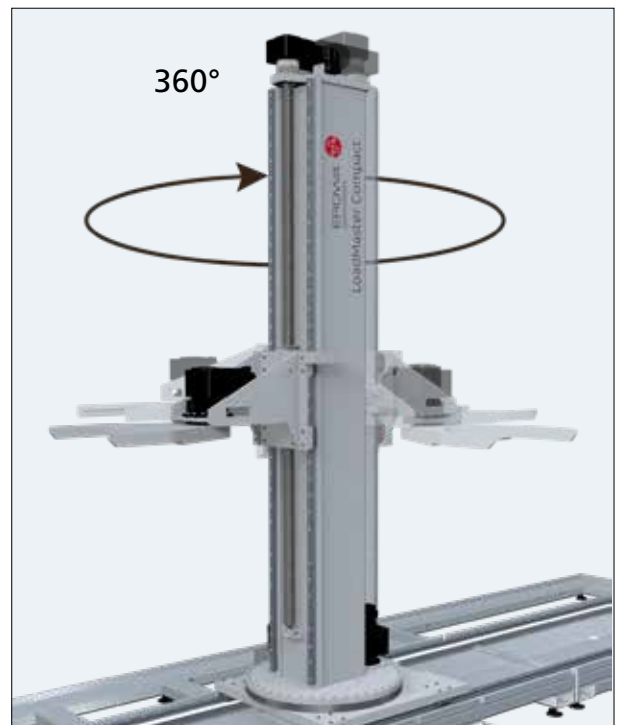


In systems with different pallet sizes (a specialty in this weight class), the “MultiFork” gripper is the alternative to changing individual grippers. The gripper width smoothly adapts to different pallet dimensions.

Solid technology for large workpieces. Adapted design for weights that are moved most frequently.



360° freedom of turning range. Along with the swiveling axis of the gripper arm, this results in efficient loading and unloading of the machine table and storage position.



The "TwinFork" double gripper significantly reduces chip-to-chip time when changing pallets. This is an important factor for long transfer distances and short machining times.

#### FACTS

- 360° freedom of the tower axle
- Adapted gripper system
- Fast chip-to-chip time
- Accessibility to machine tables

# Skilful Storage

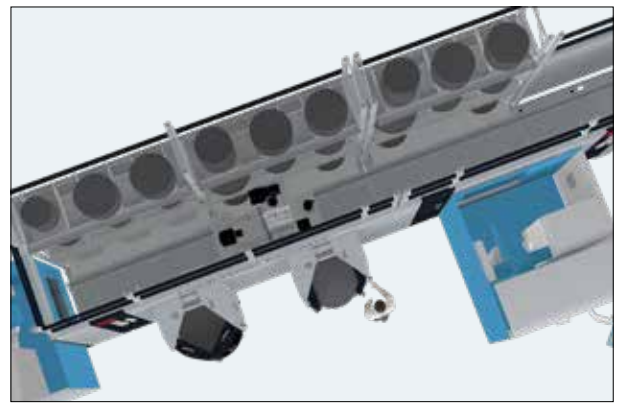
We refer to them as pallet storage units, magazines, or storage locations. The name is the program and the program is very flexible. Both the level height and arrangement by level can be adapted to the workpiece sizes used. And since there is often still more space vertically, we also build up to four levels high – this is optimal use of space!



Mixed pallet sizes in a production line allow optimal use of the available space. A magazine module consists of a rack with up to 4 levels. The transfer unit's rail is integrated.



The magazine modules can be combined in series. There are no limits on the number of units to be connected. The total rail length depends on the number of machines and their positioning.



Modules are available with or without pallet storage unit. A drip pan for returning coolant is located under each pallet position. Safety devices that comply with applicable guidelines protect the entire system.

#### FACTS

- Modules can be combined in series
- Drip pans per magazine position
- Integrated safety device
- Monitored access door

# The next step

Important things need to be planned. And your next step is certainly among the important things. It is your start into a new, efficient era. We are pleased to be with you on the way. As consultants, in practice. For you to know at all times what you're engaging in.

The next EROWA branch office is not far – **take the step.**



## USA

EROWA Technology, Inc.  
North American Headquarters  
2535 South Clearbrook Drive  
Arlington Heights, IL 60005  
USA  
Tel. 847 290 0295  
Fax 847 290 0298  
e-mail: [info@erowa.com](mailto:info@erowa.com)  
[www.erowa.com](http://www.erowa.com)

## Italy

EROWA Tecnologie S.r.l.  
**Sede Legale e Amministrativa:**  
Via Alfieri Maserati 48  
IT-10095 Grugliasco (TO)  
Italy  
Tel. 011 9664873  
Fax 011 9664875  
[info@erowa.it](mailto:info@erowa.it)  
[www.erowa.com](http://www.erowa.com)

## Unità di Treviso:

Via Leonardo Da Vinci 8  
IT-31020 Villorba (TV)  
Italy  
Tel. 0422 1627132

## Singapore

EROWA South East Asia Pte. Ltd.  
56 Kallang Pudding Road  
#06-02, HH@Kallang  
Singapore 349328  
Singapore  
Tel. 65 6547 4339  
Fax 65 6547 4249  
[sales.singapore@erowa.com](mailto:sales.singapore@erowa.com)  
[www.erowa.com](http://www.erowa.com)

## Japan

EROWA Nippon Ltd.  
Sibadaimon Sasano Bldg.  
2-6-4, Sibadaimon, Minato-ku  
105-0012 Tokyo  
Japan  
Tel. 03 3437 0331  
Fax 03 3437 0353  
[info@erowa.co.jp](mailto:info@erowa.co.jp)  
[www.erowa.com](http://www.erowa.com)

## Switzerland

EROWA AG  
Knutwilerstrasse 3  
CH-6233 Büren  
Switzerland  
Tel. 041 935 11 11  
Fax 041 935 12 13  
[info@erowa.com](mailto:info@erowa.com)  
[www.erowa.com](http://www.erowa.com)

## France

EROWA Distribution France Sàrl  
PAE Les Glaisins  
12, rue du Bulloz  
FR-74940 Annecy-le-Vieux  
France  
Tel. 4 50 64 03 96  
Fax 4 50 64 03 49  
[erowa.france@erowa.com](mailto:erowa.france@erowa.com)  
[www.erowa.com](http://www.erowa.com)

## Spain

EROWA Technology Ibérica S.L.  
c/ Avda. Cornellá, 142 7ª 3ª ext.  
E-08950 Esplugues de Llobregat - Barcelona  
Spain  
Tel. 093 265 51 77  
Fax 093 244 03 14  
[erowa.iberica.info@erowa.com](mailto:erowa.iberica.info@erowa.com)  
[www.erowa.com](http://www.erowa.com)

## China

EROWA Technology (Shanghai) Co., Ltd.  
G/F, No. 24 Factory Building House  
69 Gui Qing Road (Caohejing Hi-tech Park)  
Shanghai 200233, PRC  
China  
Tel. 021 6485 5028  
Fax 021 6485 0119  
[info@erowa.cn](mailto:info@erowa.cn)  
[www.erowa.com](http://www.erowa.com)

## Germany

EROWA System Technologien GmbH  
Gewerbegebiet Schwadermühle  
Roßendorfer Straße 1  
DE-90556 Cadolzburg/Nbg  
Germany  
Tel. 09103 7900-0  
Fax 09103 7900-10  
[info@erowa.de](mailto:info@erowa.de)  
[www.erowa.de](http://www.erowa.de)

## Scandinavia

EROWA Technology Scandinavia A/S  
Fasanvej 2  
DK-5863 Ferritslev Fyn  
Denmark  
Tel. 65 98 26 00  
Fax 65 98 26 06  
[info.scandinavia@erowa.com](mailto:info.scandinavia@erowa.com)  
[www.erowa.com](http://www.erowa.com)

## Eastern Europe

EROWA Technology Sp. z o.o.  
Eastern Europe  
ul. Spółdzielcza 37-39  
55-080 Kały Wrocławskie  
Poland  
Tel. 71 363 5650  
Fax 71 363 4970  
[info@erowa.com.pl](mailto:info@erowa.com.pl)  
[www.erowa.com](http://www.erowa.com)

## India

EROWA Technology (India) Private Limited  
No: 6-3-1191/6, Brij Tarang Building  
Unit No-3F, 3rd Floor, Greenlands, Begumpet,  
Hyderabad 500016 (Telangana)  
India  
Tel. 040 4013 3639  
Fax 040 4013 3630  
[sales.india@erowa.com](mailto:sales.india@erowa.com)  
[www.erowa.com](http://www.erowa.com)